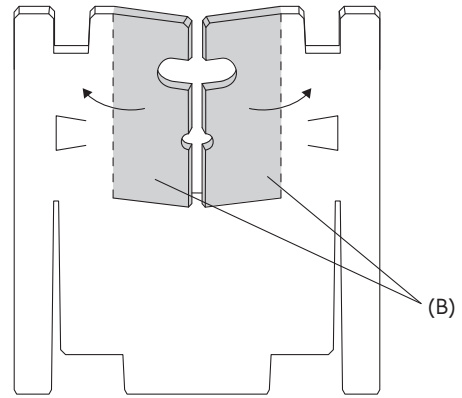
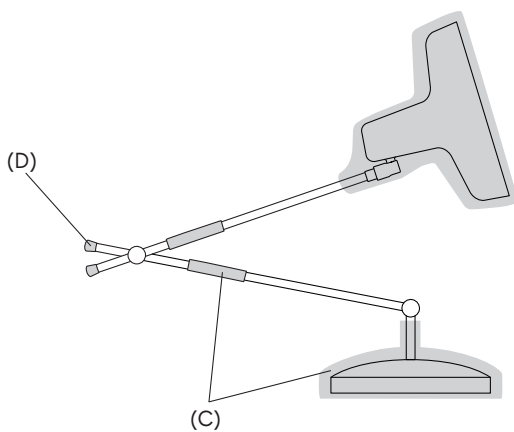


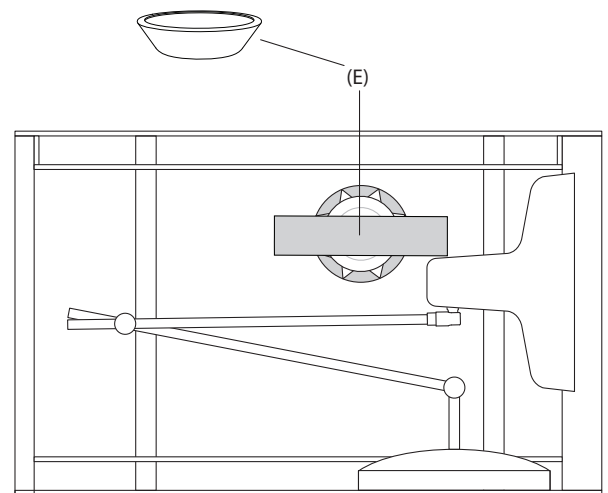
1. Open the box and remove the top insert. While one person is holding the edges of the box, the other should simultaneously pull all the bulkheads out by using provided handles (A).



2. Open the bulkhead doors (B) and carefully remove it from the lamp. Do the same with all bulkheads.



3. Remove rubber pads and plastic bags (C). Also, remove plastic caps (D) protecting the end of each arm.

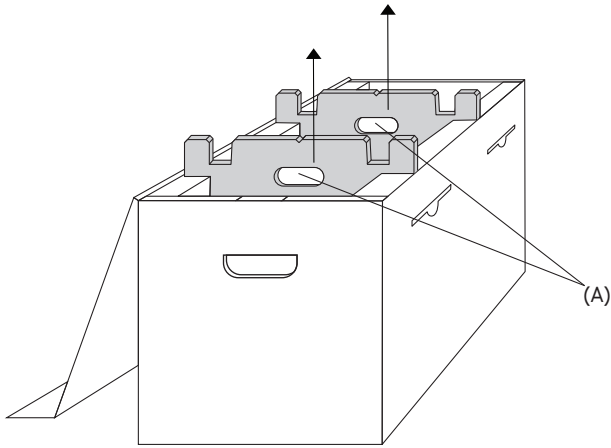


- (!) Find the undershade (E) attached in the bottom cardboard insert.

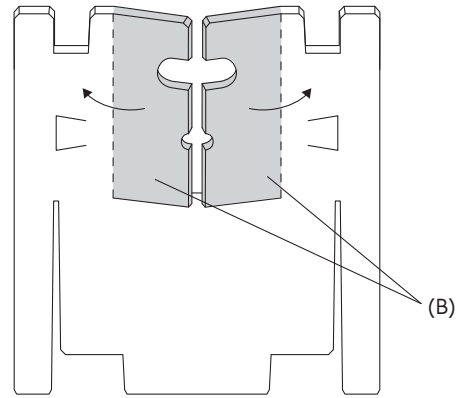
Manufacturer:
Grupa Studio d.o.o.
Popa Dukljanina
10000 Zagreb, Croatia, EU

info@grupa.com
grupa.com

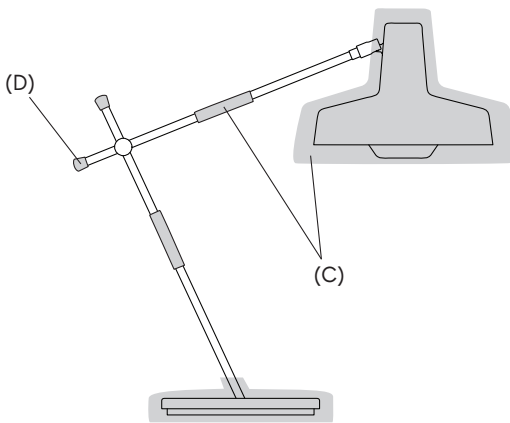
(!) Two people should remove the lamp from the box.
(!) Don't use any sharp objects for opening the box.



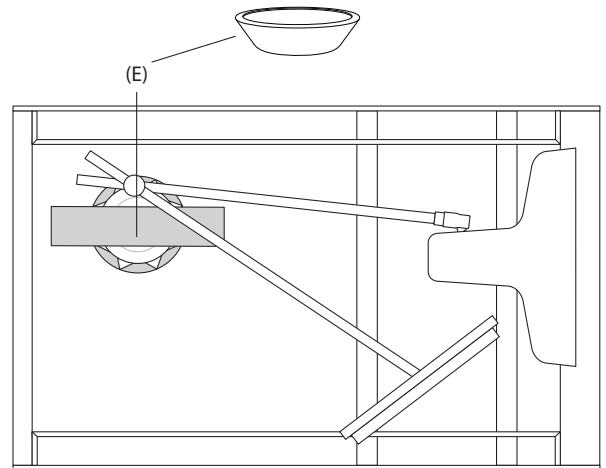
1. Open the box and remove the top insert. While one person is holding the edges of the box, the other should simultaneously pull all the bulkheads out by using provided handles (A).



2. Open the bulkhead doors (B) and carefully remove it from the lamp. Do the same with all bulkheads.



3. Remove rubber pads and plastic bags (C). Also, remove plastic caps (D) protecting the end of each arm.

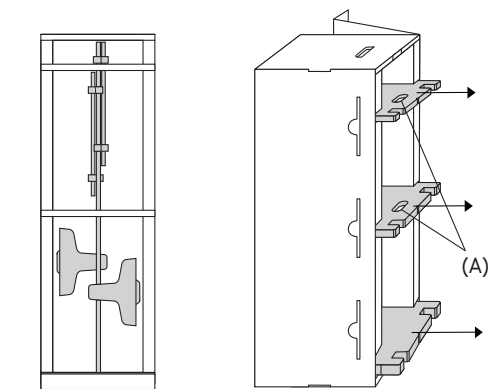


- (!) Find the undershade (E) attached in the bottom cardboard insert.

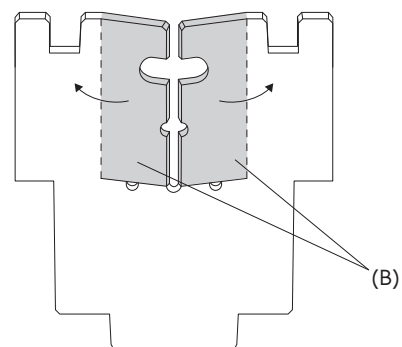
Manufacturer:
Grupa Studio d.o.o.
Popa Dukljanina
10000 Zagreb, Croatia, EU

info@grupa.com
grupa.com

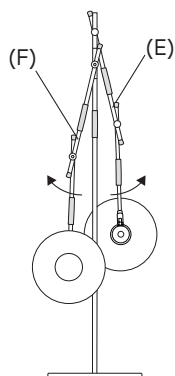
(!) Two people should remove the lamp from the box.
(!) Don't use any sharp objects for opening the box.



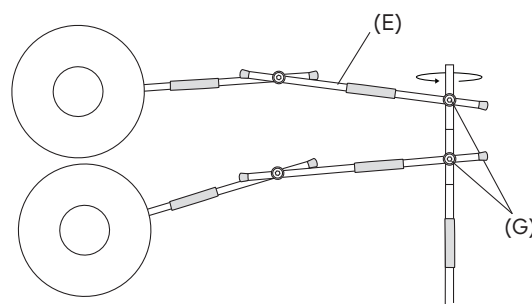
1. For opening, put the box in vertical position and remove the top insert. While one person is holding the edges of the box, the other should simultaneously pull all the bulkheads out by using provided handles (A).



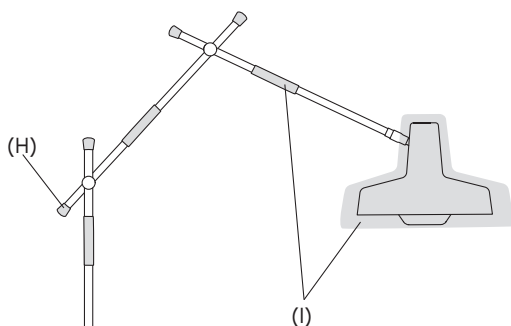
2. Open the bulkhead doors (B) and carefully remove it from the lamp. Do the same with all bulkheads.



3. Position the lamp so the lower lampshade is facing you. Rotate upper arm (E) 90 degrees counterclockwise, then rotate lower arm (F) 90 degrees clockwise.



4. Rotate upper arm 180 degrees counterclockwise around the base. Ensure all the screws on the arm joints (G) are facing the same side.



5. Remove rubber pads and plastic bags (I) left behind. Also, remove plastic caps (H) protecting the end of each arm.

Manufacturer:
Grupa Studio d.o.o.
Popa Dukljanina
10000 Zagreb, Croatia, EU

info@grupa.com
grupa.com

(!) Two people should remove the lamp from the box.
(!) Don't use any sharp objects for opening the box.